

## LS/PD CI KIT

LS/PD CI KIT | Mounting kits



### Product family features

- Ceiling installation adapter
- Adapter ring and spring holder made of metal

### Product family benefits

- Simple ceiling recessed mounting

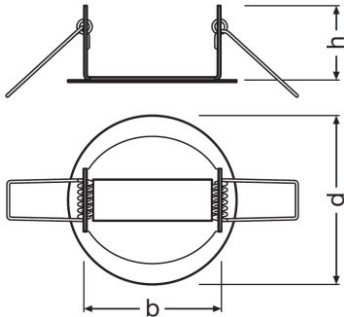
### Areas of application

- Offices
- Classrooms
- Conference rooms
- Corridors
- Stairways

## Product datasheet

### Technical data

#### Dimensions & weight



Height	36.0 mm
Product weight	76.00 g
Diameter	80.0 mm

#### Capabilities

Type of installation	Ceiling integration
----------------------	---------------------

#### Logistical data

Commodity code	94059900900
----------------	-------------

#### Environmental information

Information according Art. 33 of EU Regulation (EC) 1907/2006 (REACH)	
Date of Declaration	01-07-2022
Primary Article Identifier	4052899920293
Candidate List Substance 1	No declarable substances contained
Declaration No. in SCIP database	No declarable substances contained

#### Equipment / Accessories

– Suitable for DALIeco LS/PD LI, DALI LS/PD LI and LS/PD LI Analog sensors

#### Download Data

File
------

## Product datasheet



Brochures  
DALIeco: Multi-functional light management system (EN)

### Logistical Data

Product code	Product description	Packaging unit (Pieces/Unit)	Dimensions (length x width x height)	Volume	Gross weight
4052899920293	LS/PD CI KIT	Shipping carton box 10	190 mm x 164 mm x 184 mm	5.73 dm <sup>3</sup>	902.00 g

The mentioned product code describes the smallest quantity unit which can be ordered. One shipping unit can contain one or more single products. When placing an order, for the quantity please enter single or multiples of a shipping unit.

### Disclaimer

Subject to change without notice. Errors and omission excepted. Always make sure to use the most recent release.